

Technical specifications

Fall Compact Phenolic Table 80x80

By Resol

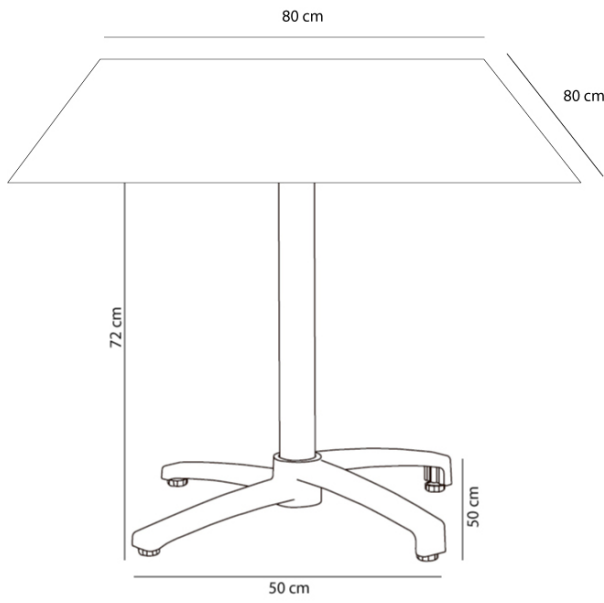


Table leg in painted aluminium. Folding system. Indoor and outdoor use. Compact phenolic tabletop.

Measures

W 80cm x L 80cm x H 71cm x Hb 70cm

W 31.5in x L 31.5in x H 27.95in x Hb 27.56in

Weight

15.92 Kg

35.1 lb

Logistical information

Units	Packaging (cm)	Packaging (in)	m ³	ft ³	Peso Br. (kg)	Gross We. (lb)
1X	81 x 84 x 20	31.89 x 33.07 x 7.87	0.136	4.8	16.72	36.86

Sustainable Production - Environmental Commitment

Resol invests money and resources in research and the search for more sustainable processes.

All Resol products are produced with responsible use of water.

Under no circumstances are hazardous chemicals used during production.

At Resol, all waste is managed in a sustainable and responsible manner.



RESOL

Technical specifications

Fall Compact Phenolic Table 80x80

By Resol

Variants



Sustainable Production - Environmental Commitment

Resol invests money and resources in research and the search for more sustainable processes.

All Resol products are produced with responsible use of water.

Under no circumstances are hazardous chemicals used during production.

At Resol, all waste is managed in a sustainable and responsible manner.



RESOL